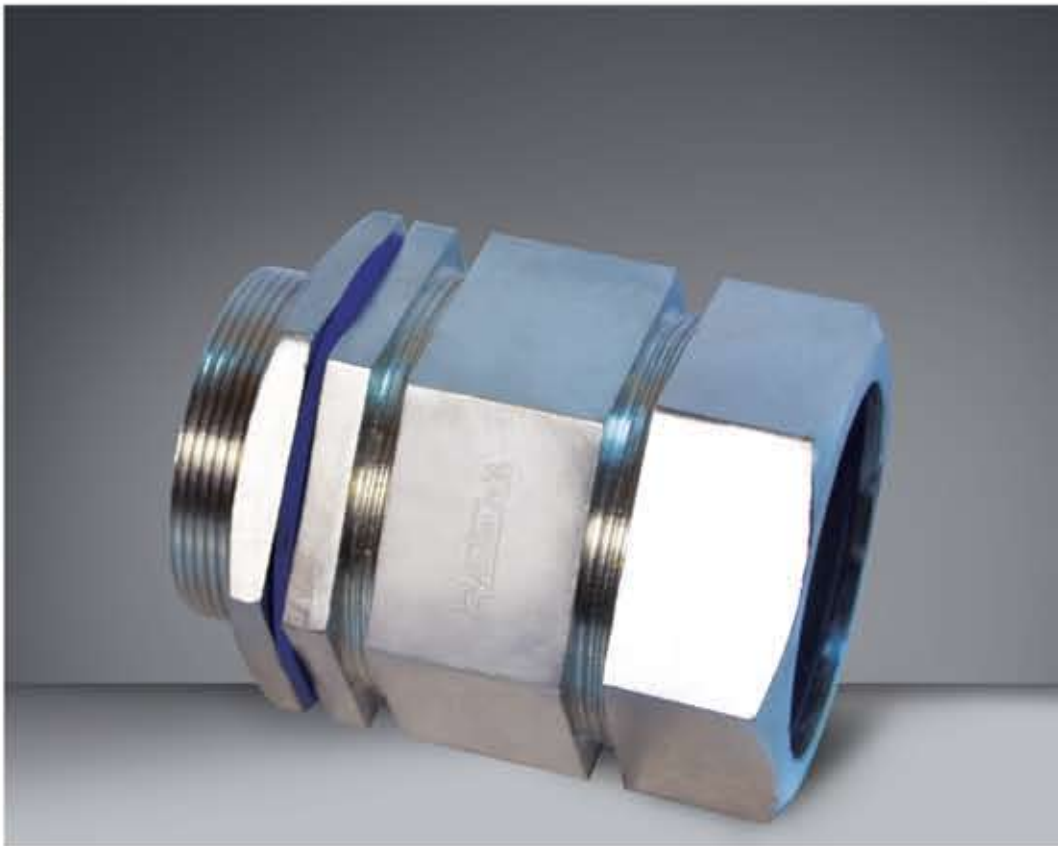




RATAN PROJECTS & ENGINEERING CO. PVT. LTD.

www.ratans.com

DEPENDABLE By World Standards >>>



high conductivity copper crimping lugs copper ring tongue terminal ends

aluminium reducer type terminal ends

copper reducer type terminal ends

cable terminal/lugs

double compression gland copper ferrule/in-line connector

aluminium xlpe ferrule

aluminium standard lugs

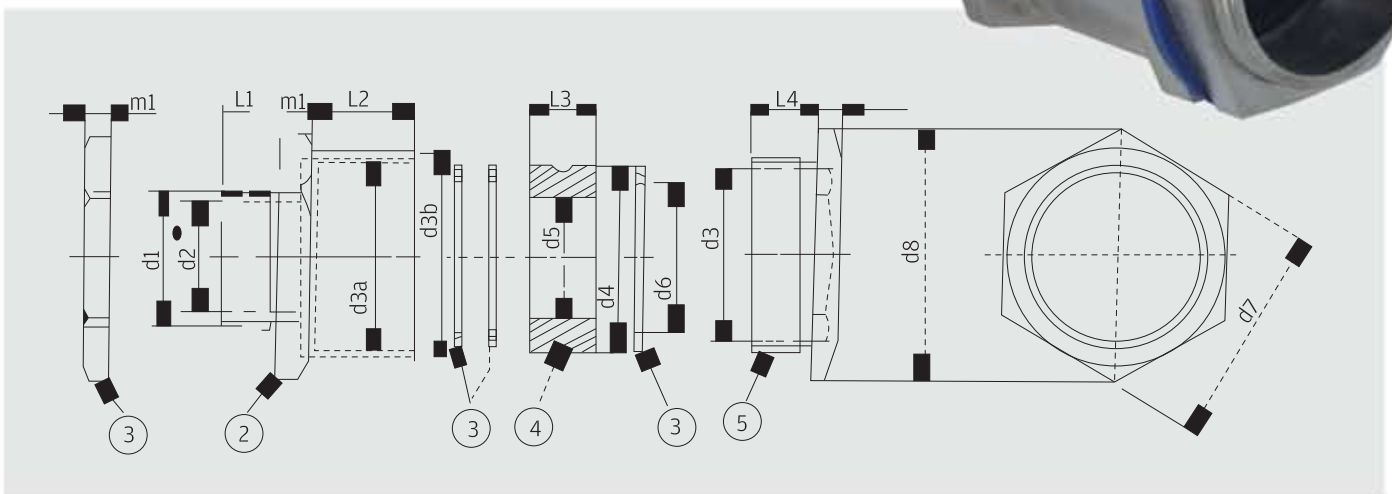
copper crimping lugs (din type)

single compression type aluminium xlpe lugs aluminium ferrule/in-line connector

CABLE GLAND

SINGLE COMPRESSION TYPE >>

Heavy duty single compression brass cable gland with complete accessories



Ratan's HRBG	HRBG	HRBG	HRBG	HRBG	HRBG	HRBG	HRBG	HRBG	HRBG	HRBG	HRBG	HRBG	HRBG	HRBG	HRBG	HRBG	HRBG	HRBG	HRBG	HRBG	HRBG	HRBG	
Cat.No. 1313	1515	1715	1915	2021	2221	2521	2721	2927	3327	3533	3833	4033	4239	4745	5045	5245	5545	6156	6356	6662	7366	7870	
d1	15.1	18.4	18.4	18.1	18.4	24.9	24.9	25.0	31.3	31.4	34.8	37.8	37.8	41.2	47.8	50.2	50.2	55.1	61.6	62.5	67.2	71.6	78.6
d2	10.7	14.7	14.5	14.8	14.6	20.8	20.0	20.0	26.3	26.5	29.3	32.8	32.8	34.6	41.5	44.4	44.4	51.6	55.8	55.6	61.0	65.5	71.2
d3	12.5	15.3	17.5	19.6	20.5	22.4	25.5	27.5	29.4	33.1	35.5	38.2	40.0	42.3	47.2	50.0	52.5	55.0	60.4	63.2	66.5	72.4	78.4
d3a	15.0	19.7	20.0	21.9	22.9	27.3	29.4	31.0	34.0	36.6	40.0	42.0	44.0	36.7	51.0	55.0	57.3	60.0	65.0	67.0	71.0	77.3	82.8
d4	14.3	19.4	12.6	21.3	22.8	26.3	29.0	30.7	31.0	35.5	39.5	41.3	43.5	45.8	50.0	49.5	56.0	55.7	64.0	66.5	70.0	75.5	81.2
d5	11.4	14.8	19.1	18.6	17.4	22.6	24.0	24.4	22.6	31.8	33.0	34.7	36.0	37.2	43.5	46.0	48.3	49.7	53.0	58.4	62.3	66.5	73.5
d6	10.0	12.3	15.0	15.6	15.0	17.6	20.6	21.1	27.3	26.0	28.0	31.0	33.0	35.1	40.0	41.5	43.4	47.5	57.0	54.0	57.0	63.0	68.0
d7	21.3	25.3	25.5	26.2	28.3	33.0	34.0	37.0	38.2	41.9	46.4	48.6	50.8	52.5	57.5	61.0	63.7	67.3	71.0	73.0	78.6	85.2	90.0
d8	24.5	29.3	29.1	30.5	32.0	36.9	39.3	42.0	43.9	49.1	54.5	56.5	58.0	60.6	65.8	70.0	72.8	77.2	81.0	93.9	90.1	99.3	103.3
L1	8.4	8.0	8.6	8.9	9.0	10.2	9.3	10.2	11.0	11.0	11.1	11.5	11.5	11.4	11.5	12.9	12.9	15.1	16.5	15.7	15.5	15.8	18.0
L2	9.3	14.5	13.5	16.1	14.5	16.4	16.0	18.0	17.5	18.5	20.9	21.8	21.8	19.6	25.0	23.0	23.0	23.5	26.5	26.7	26.6	27.8	28.7
L3	8.3	9.1	8.7	9.5	10.7	9.8	12.0	12.0	12.9	13.0	15.3	15.0	15.0	14.5	16.5	18.0	18.0	19.0	17.4	19.0	20.0	21.0	19.0
L4	8.8	9.1	9.3	8.0	8.2	11.5	10.0	12.0	11.9	11.0	11.8	14.6	14.6	11.7	13.8	13.0	14.0	16.0	15.0	16.0	14.0	17.0	15.0
n1	3.2	3.3	3.6	4.4	4.2	4.2	4.3	4.8	4.8	4.8	5.5	5.0	5.0	6.2	5.6	6.0	6.1	6.4	8.5	7.2	6.5	6.7	7.0
d3b	19.5	24.0	24.4	26.7	32.0	27.7	34.0	35.6	38.7	40.4	46.0	47.6	50.0	51.4	56.7	62.0	63.5	65.3	70.0	72.5	77.7	83.7	89.1

Material : Brass
 All Dimensions are in mm.

Finish : Nickel Plate



Medium quality single compression brass cable gland with complete accessories

Ratan's Cat.No.	CRBG 1313	CRBG 1515	CRBG 1715	CRBG 1915	CRBG 2021	CRBG 2221	CRBG 2521	CRBG 2721	CRBG 2927	CRBG 3327	CRBG 3533	CRBG 3833	CRBG 4033	CRBG 4239	CRBG 4745	CRBG 5045	CRBG 5245	CRBG 5545	CRBG 6156	CRBG 6356	CRBG 6662	CRBG 7366	CRBG 7870
d1	13.8	18.5	18.5	18.5	18.5	25.0	25.0	25.0	30.0	32.0	34.7	37.4	37.6	43.1	47.0	50.2	50.2	54.4	58.1	61.0	65.4	70.5	75.9
d2	11.7	16.0	16.0	16.0	16.0	21.5	21.5	21.5	27.4	28.5	31.3	33.2	33.2	39.8	43.2	44.4	46.7	50.4	54.4	56.5	61.0	65.8	70.4
d3	13.0	15.0	17.0	19.0	20.0	22.0	25.0	27.0	29.0	33.0	35.0	38.0	40.0	42.0	47.0	50.0	52.0	55.0	61.0	63.0	66.0	73.0	78.0
d3a	14.9	17.5	19.3	21.2	22.5	25.0	27.1	29.3	31.3	35.4	37.1	40.4	42.5	45.5	49.5	53.0	55.0	58.2	64.0	66.6	70.5	77.0	81.0
d4	14.2	17.0	19.0	20.0	22.0	24.5	25.5	27.8	30.2	34.8	36.5	39.3	42.0	44.5	49.0	52.5	53.8	57.0	63.7	66.5	70.2	76.3	81.2
d5	10.0	11.5	13.0	14.5	15.0	18.0	20.5	21.0	24.0	26.5	28.5	34.0	34.5	35.5	40.0	44.0	44.0	47.5	54.5	55.0	58.5	62.8	70.0
d6	10.4	14.0	15.0	16.0	16.5	20.0	22.2	24.5	26.2	28.7	30.0	34.5	36.0	40.0	43.0	44.0	45.5	50.6	55.9	59.7	62.0	70.0	71.9
d7	20.1	20.1	22.0	23.5	24.5	29.0	30.0	31.7	35.0	38.2	41.7	43.8	46.0	49.8	54.1	56.5	58.5	64.2	69.2	71.4	76.6	82.2	86.0
d8	19.3	22.5	25.0	26.5	27.5	33.0	34.2	37.9	39.6	43.5	47.3	50.8	52.5	57.2	59.5	65.0	67.1	73.3	79.3	82.4	87.8	93.5	99.8
L1	6.3	6.5	7.5	7.5	7.5	8.0	8.0	9.1	10.0	9.3	10.3	11.2	13.0	11.2	11.2	12.3	12.3	13.9	14.8	14.8	15.7	16.4	16.3
L2	11.4	12.5	11.5	14.5	14.5	16.5	17.2	17.2	17.0	19.1	19.4	19.4	19.6	19.9	21.2	23.0	23.7	23.7	25.0	25.0	25.8	27.6	27.6
L3	8.0	8.0	8.0	9.0	10.0	10.5	10.5	10.7	12.3	12.7	14.9	14.9	14.9	16.5	16.5	17.0	17.6	18.7	19.5	20.3	20.4	19.8	22.4
L4	7.5	6.0	7.5	8.5	9.0	9.0	9.1	10.3	9.4	10.3	11.6	11.6	11.6	11.6	11.8	13.6	13.6	14.0	15.1	15.1	15.8	15.8	15.8
m1	2.2	2.5	2.5	3.0	3.0	3.5	3.7	4.0	4.0	4.2	4.6	4.6	4.6	5.0	5.5	5.5	5.7	5.7	5.7	6.0	6.0	6.0	6.5
d3b	16.5	19.0	21.0	23.0	24.5	27.5	29.4	31.5	34.0	35.4	39.7	43.3	46.0	48.4	52.3	55.4	57.4	61.9	66.5	69.9	73.3	79.8	85.4

Material : Brass

All Dimensions are in mm.

Finish : Nickel Plate

Single compression brass cable gland with complete accessories as per IS : 12943-1990



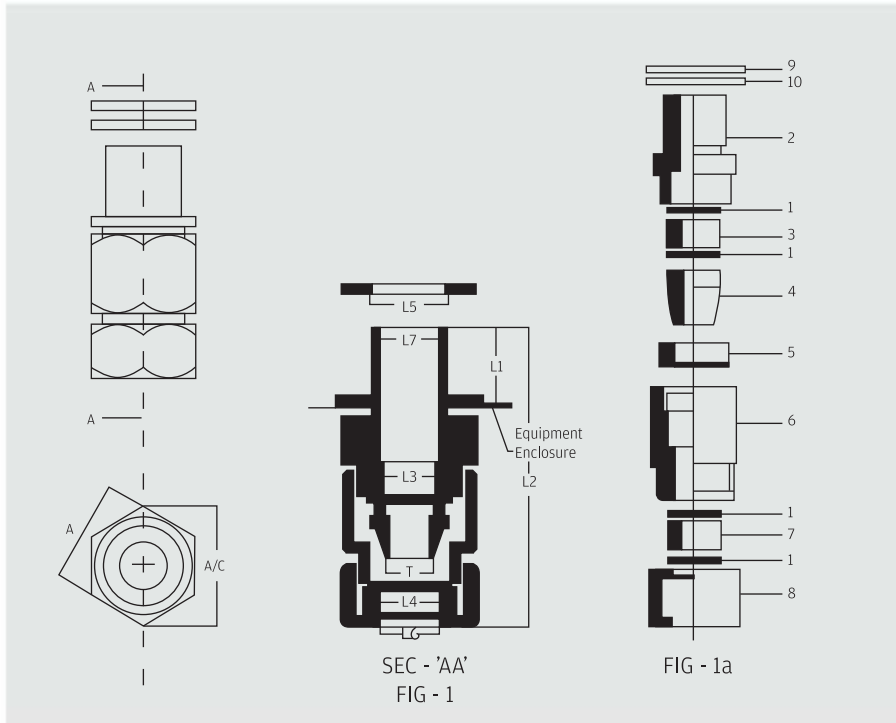
Ratan's No	IRBG 1612	IRBG 1912	IRBG 1915	IRBG 2415	IRBG 2421	IRBG 1912	IRBG 3327	IRBG 3734	IRBG 4134	IRBG 4744	IRBG 5244	IRBG 6255	IRBG 6555	IRBG 7166	IRBG 7667	IRBG 8273	IRBG 9181	IRBG 9891	IRBG 0701	IRBG 0803
IS. KEF	scg (1)	scg (2)	scg (3)	scg (4)	scg (5)	scg (6)	scg (7)	scg (8)	scg (9)	scg (10)	scg (11)	scg (12)	scg (13)	scg (14)	scg (15)	scg (16)	scg (17)	scg (18)	scg (19)	scg (20)
d1	16	16	20	20	25	25	32	40	40	50	51	63	63	75	75	82	90	100	110	125
d2	12	12	15	15	20.5	20.5	27	34	34	44	44	55	55	66	67	73	81	91	100	113
d3	16	18.5	18.5	24	24	28.5	33	37	41	47	52	61.5	65	71	76	82	91	98	107	118
d3a	18.5	21	21	26.5	26.5	31.5	36	40.5	45.5	52	58	66.5	70	77	82	88.5	98	106	115	128
d4	18	20.5	20.5	26	26	31	35	39.5	44.5	51	57	66	69	76	81	87.5	97	105	114	127
d5	12	15	15	18	20	24	28	32	37	42	48	54	60	66	72	78	84	92	100	115
d6	12.5	15.5	15.5	20	20	25	29	33	37	43	49	56	60	67	72	79	85	93	101	116
d7	22	25	25	30	31.5	35	40	46	50	58	65	73	77	85	90	97	108	117	127	142
d8	25.5	29	29	34.5	36	40	46	53	57.5	67	75	84	89	98	104	112	124	135	146	164
L1	9	9	9	9.5	9.5	10	12	12	12	13	13	14	14	15	15	17	19	20	25	25
L2	15	15.5	15.5	18	18	18.5	19.5	21.5	22	24.5	25	25	26	27	27	28.5	30	32	32	32
L3	8	9	9	10	10	11	12	13	14	16	16	17	17	18	18	18	20	20	20	20
L4	9	9	9	10	10	11	11	12	13	15	15	15	15	17	17	18	20	20	20	20
dmi	3	3.5	3.5	3.5	3.5	4	4	4	4.5	5	5	6	6	7	7	7.5	8	8	9	10
d3b	21.5	24	24	29.5	29.5	34.5	39.5	44	49.5	57	63.5	72	76	84	89	96	106	15	125	114
OD(min)	9	12	12	15	16	20	24	28	33	38	43	49	55	61	67	73	79	85	93	101
OD(max)	12	15	15	16	20	24	28	32	37	42	48	54	60	66	72	78	84	92	100	115

Material : Brass

All Dimensions are in mm.

Finish : Nickel Plate

DOUBLE COMPRESSION GLAND >>



BILL OF MATERIALS

SL.	Particulars	Material	NO.
1.	Washer	Brass	4
2.	Nipple	Brass	1
3.	Inner Seal	Rubber	1
4.	Cone	Brass	1
5.	Cone Ring	Brass	1
6.	Gland Body	Brass	1
7.	Outer Seal	Rubber	1
8.	Compression Nut	Brass	1
9.	Check Nut	Brass	1
10.	Gasket	PVC	1

General Tolerance :
 As per enclosed data sheet

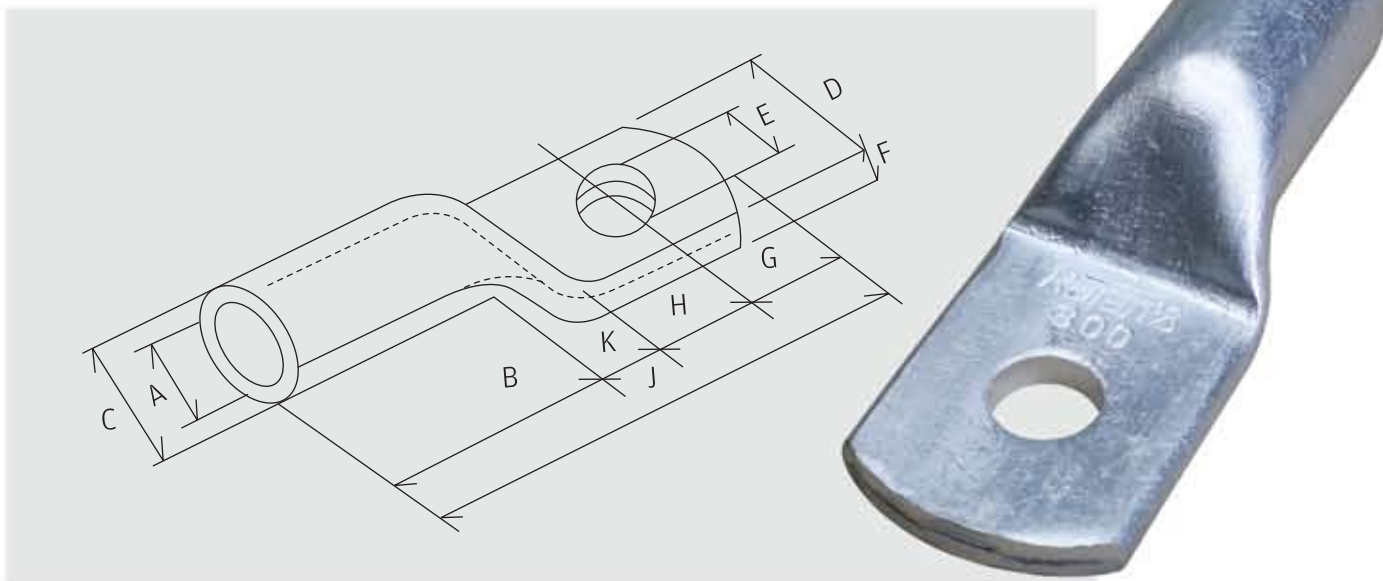
SL NO.	Cat No.	I.D. of Compression Nut (L6)	L1 (Nipple Length)	L2 T. Length (Approx)	L3 Inner Seal (+/-1.5mm)	L4 Outer Seal (+/-1.5mm)	L5 Check Nut I.D. (+/-2mm)	L7 Nipple I.D. (+/-2mm)	A/F (+/-1.5mm)	T (+/-1.5mm)
1	RDG-1515	15.00	13.50	59.00	12.00	15.00	18.00	15.00	24.00	12.00
2	RDG-1715	17.00	13.80	61.00	12.50	17.00	18.00	15.00	24.50	14.00
3	RDG-1915	19.00	14.00	61.00	12.00	19.00	18.00	15.00	26.00	14.00
4	RDG-2021	20.00	15.00	61.00	14.00	20.00	18.00	15.00	27.00	15.50
5	RDG-2221	22.00	15.00	61.00	14.00	22.00	18.00	15.00	27.00	15.50
6	RDG-2521	25.00	15.00	66.00	19.50	25.00	24.00	20.50	33.00	21.50
7	RDG-2721	27.00	15.00	66.00	22.00	27.00	24.00	20.00	34.50	22.00
8	RDG-2927	29.00	16.50	66.00	25.00	29.00	31.00	28.00	40.00	25.00
10	RDG-3327	33.00	16.50	70.00	25.00	33.00	31.00	27.50	43.50	28.00
11	RDG-3533	35.00	11.50	70.00	26.00	35.00	33.00	29.50	42.00	29.00
12	RDG-3833	37.00	17.00	61.00	31.00	37.00	37.00	33.50	47.00	30.50
13	RDG-4033	40.00	16.00	74.00	33.50	40.00	40.50	36.00	54.50	35.00
14	RDG-4239	42.00	16.00	76.00	33.50	42.00	40.50	36.00	54.50	35.00
15	RDG-4745	47.00	16.00	76.00	40.00	47.00	48.00	44.00	56.50	42.00
16	RDG-5045	50.00	15.00	76.00	43.00	50.00	49.00	44.00	62.00	44.00
17	RDG-5245	52.00	15.00	82.00	43.00	52.00	49.00	44.00	62.00	44.00
18	RDG-5545	55.00	17.50	82.00	46.50	55.00	55.00	48.50	65.00	45.50
19	RDG-6165	61.00	17.50	82.00	47.50	61.00	56.00	51.50	67.50	50.00
20	RDG-6356	63.00	17.50	82.00	55.00	63.00	62.00	56.50	70.00	56.00
21	RDG-6662	66.00	19.50	90.00	59.00	66.00	68.50	63.50	73.00	58.00
22	RDG-7366	73.00	19.50	90.00	63.00	73.00	71.00	65.00	85.00	60.50
23	RDG-7870	78.00	23.00	106.00	71.00	78.00	78.00	72.00	92.50	70.00
24	RDG-8370	83.00	25.00	115.00	72.00	83.00	80.50	74.00	99.50	74.50
25	RDG-9081	90.00	27.50	125.00	82.50	90.00	87.00	80.00	107.00	80.50

Material : Brass
 All Dimensions are in mm.

Finish : Nickel Plate

CABLE TERMINAL/LUGS

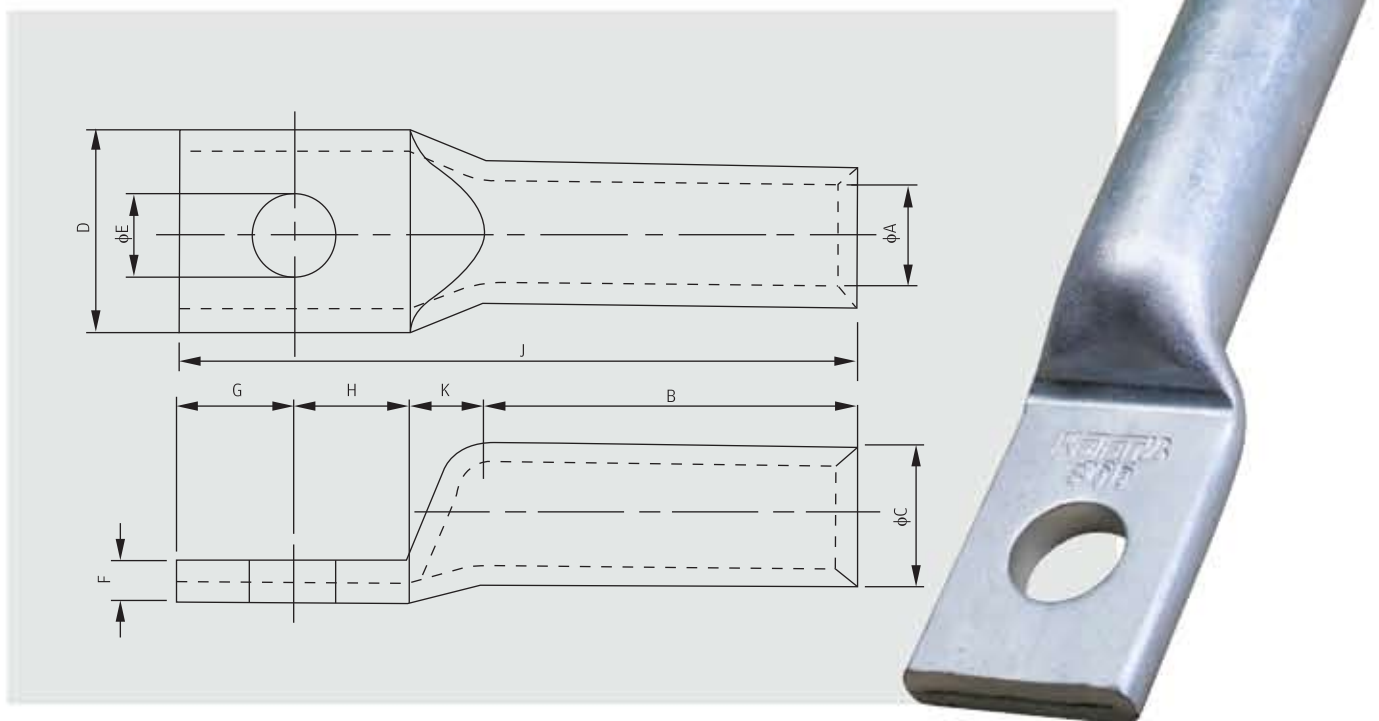
ALUMINIUM STANDARD LUGS >>



Compression type Aluminium Tubular Terminal Ends for aluminium conductors

Area sq.mm. (1)	E (2)	E (3)	A (4)	C (5)	D (6)	F (7)	B (8)	H (9)	G (10)	J (11)	Cat No.
2.5	3.2	-	1.9-2.1	5.4-5.6	6.3-6.9	3.3-3.7	7	4	4	18	RASS-164
2.5	3.2	3.7	2.5-2.7	5.4-5.6	6.7-7.3	2.7-3.1	7	4	4	18	RASS-165
4	3.2	4.2	2.8-3.0	5.4-5.6	6.9-7.5	2.4-2.8	7	4	4	18	RASS-166
6	3.2	5.2	3.4-3.6	5.4-5.6	7.2-7.8	1.8-2.2	7	7	6	24	RASS-168
10	4.2	5.2	3.7-3.9	6.1-6.3	8.1-8.7	2.2-2.6	7	9	8	28	RASS-170
10	4.2	6.4	4.3-4.5	7.1-7.3	9.4-10.9	2.6-3.0	9	9	8	30	RASS-171
16	5.2	8.2	5.3-5.5	8.2-8.4	11.1-11.7	2.7-3.1	13	11	9	37	RASS-173
25	6.4	10.2	6.8-7.1	9.6-9.8	13.4-14.0	2.5-2.9	16	11	10	44	RASS-176
35	6.4	10.2	7.8-8.1	10.7-10.9	15.1-15.7	2.6-3.0	18	11	11	47	RASS-180
50	6.4	10.2	9.1-9.4	12.9-13.11	8.0-18.6	3.4-4.0	22	13	11	54	RASS-183
70	8.2	12.7	11.1-11.4	15.4-15.6	21.7-22.3	3.9-4.5	26	13	13	60	RASS-186
95	10.2	12.7	13.0-13.3	17.3-17.5	24.6-25.2	3.9-4.5	28	14	14	64	RASS-189
120	10.2	16.2	14.5-14.9	19.5-19.7	27.7-38.3	4.5-5.1	32	15	15	73	RASS-192
150	10.2	16.2	16.2-16.6	21.4-21.6	30.6-31.2	4.7-5.3	34	17	17	79	RASS-195
185	10.2	16.3	18.2-18.6	23.9-24.1	34.2-35.0	5.0-6.0	36	18	18	84	RASS-200
240	12.7	20.3	20.7-21.3	27.9-28.2	39.6-40.6	6.3-7.3	44	22	22	102	RASS-202
300	16.2	20.3	23.5-24.1	30.9-31.2	44.2-45.2	6.5-7.5	47	27	27	115	RASS-204
400	16.2	20.3	26.5-27.1	35.4-35.7	50.5-51.5	7.8-9.2	56	31	30	130	RASS-206
500	20.3	-	29.5-30.2	40.9-41.2	57.4-58.8	10.1-11.9	60	33	32	140	RASS-207
630	20.3	-	34.5-35.2	45.9-46.2	65.4-66.0	10.1-11.9	59	35	34	154	RASS-208
800	-	-	38.5-39.2	50.9-51.2	72.5-74.1	11.1-12.9	77	39	39	180	RASS-209
1000	-	-	43.0-43.7	56.8-57.2	80.9-82.9	12.5-14.5	100	45	45	220	RASS-210

ALUMINIUM XLPE LUGS >>



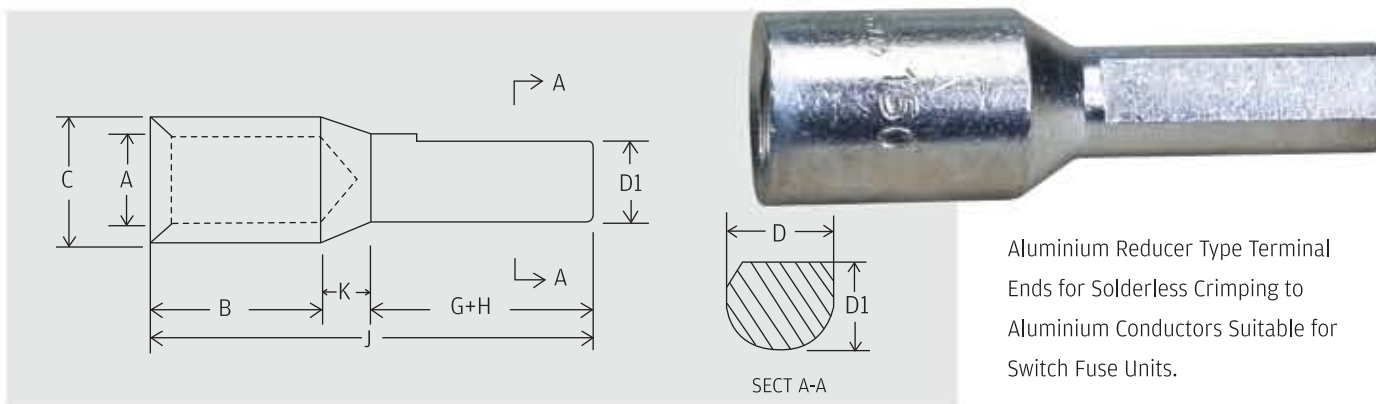
DIM. TABLE FOR XR LUGS

Area sq.mm.	±0.12 øE	+0.3-0.0 øA	±0.2 øC	±0.5 D	±0.5 F	+3-0 B	±0.5 K	±0.5 H	±0.5 G	±0.5 J	Ratan's Cat No.
16	8.4	5.4	7.4	11.0	2.0	14	5	9	9	37	RXLS-16
25	8.4	7.2	9.6	14.0	2.4	41	7	12	9	69	RXLS-25
35	10.5	8.3	11.1	16.0	2.8	50	7	11	11	79	RXLS-35
50	10.5	10.1	13.5	19.5	3.4	49	8	13	11	81	RXLS-50
70	13.0	10.2	14.5	20.5	4.3	62	8	13	13	96	RXLS-70
95	13.0	12.0	16.9	23.5	4.9	73	8	14	14	109	RXLS-95
120	13.0	13.7	19.0	26.5	5.3	73	11	15	15	114	RXLS-120
150	13.0	15.1	21.1	29.5	6.0	83	11	17	17	128	RXLS-150/1
150	17.0	15.1	21.1	29.5	6.0	83	11	17	17	128	RXLS-150/2
185	17.0	16.6	23.9	33.0	4.3	83	12	18	18	131	RXLS-185
225	17.0	18.6	26.1	36.0	7.5	86	14	20	20	140	RXLS-225
240	17.0	19.3	27.2	37.5	7.9	86	14	22	22	144	RXLS-240
300	17.0	21.8	30.2	42.0	8.4	89	14	27	27	157	RXLS-20/1
300	20.0	21.8	30.2	42.0	8.4	89	14	27	27	157	RXLS-20/2
400	17.0	25.0	34.8	48.0	9.8	113	13	30	30	186	RXLS-400
500	17.0	28.2	39.1	54.0	10.9	125	15	32	32	204	RXLS-500
630	17.0	31.7	44.4	61.0	12.7	146	16	34	34	224	RXLS-630
800	20.3	35.7	49.5	68.0	13.8	147	25	39	39	250	RXLS-800
1000	20.3	41.0	56.0	77.5	15.0	160	30	45	45	280	RXLS-1000

All dimensions are in mm.

Conductivity : above 60% IACS

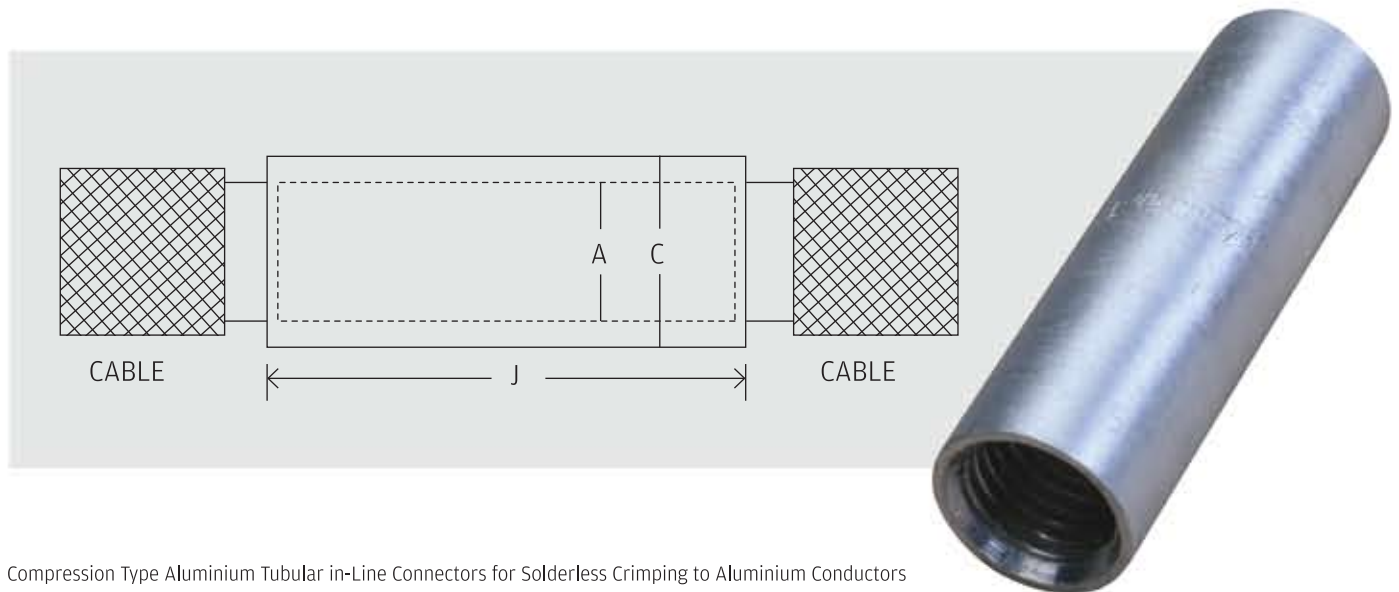
ALUMINIUM REDUCER TYPE TERMINAL ENDS »



Aluminium Reducer Type Terminal Ends for Solderless Crimping to Aluminium Conductors Suitable for Switch Fuse Units.

Area sq.mm.	Cable Size	A	C	D	D-1	B	K	G+H	J	Retail Packing	Ratan's Cat. No.
2.5	3/1.06	2.6	5.5	3.8	3.3	6	4	11	21	200	ARTF-301
2.5	3/1.06	2.6	5.5	4.5	4	6	4	13	23	200	ARTF-302
4	7/0.85	2.9	5.5	3.8	3.3	8	4	11	23	200	ARTF-303
4	7/0.85	2.9	5.5	4.5	4	8	4	13	25	200	ARTF-304
6	1/2.8	3.5	5.5	3.8	3.3	8	4	11	23	200	ARTF-305
6	1/2.8	3.5	5.5	4.5	4	8	4	13	25	200	ARTF-306
10	7/1.4	4.4	7.4	3.8	3.3	12	4	11	27	200	ARTF-307
10	7/1.4	4.4	7.4	4.5	4	12	4	13	29	200	ARTF-308
16	7/1.7	5.4	8.3	4.5	4	15	5	13	33	200	ARTF-309
16	7/1.7	5.4	8.3	6	5.5	15	5	15	35	200	ARTF-310
25	7/2.24	7	10	6	5.5	16	5	15	36	100	ARTF-311
25	7/2.24	7	10	7.5	6.5	16	5	20	41	100	ARTF-312
35	7/2.5	8	10.8	6	5.5	18	5	15	38	100	ARTF-313
35	7/2.5	8	10.8	7.5	6.5	18	5	20	43	100	ARTF-314
50	19/1.8	9.2	13	7.5	6.5	22	6	20	48	100	ARTF-315
50	19/1.8	9.2	13	9	8	22	6	20	48	100	ARTF-316
70	19/2.24	11.5	16	7.5	6.5	22	6	24	52	50	ARTF-317
70	19/2.24	11.5	16	11.5	10.5	22	6	27	55	50	ARTF-318
95	19/2.5	12.8	17	7.5	8.5	28	7	24	59	50	ARTF-319
95	19/2.5	12.8	17	11.5	10.5	28	7	27	62	50	ARTF-320
95	19/2.5	12.8	17	15.6	14	28	7	35	70	50	ARTF-321
120	37/2.06	14.8	19.6	7.5	6.5	30	7	24	61	30	ARTF-322
120	37/2.06	14.8	19.6	11.5	10.5	30	7	27	64	30	ARTF-323
120	37/2.06	14.8	19.6	15.6	14	30	7	35	72	30	ARTF-324
150	37/2.24	16	21	11.5	10.5	32	7	31	70	20	ARTF-325
150	37/2.24	16	21	15.6	14	32	7	35	74	20	ARTF-326
185	37/2.5	18	23.5	11.5	10.5	36	8	31	75	20	ARTF-327
185	37/2.5	18	23.5	15.6	14	36	8	35	79	20	ARTF-328
225	37/2.8	20	27	15.6	14	40	8	35	83	10	ARTF-329
225	37/2.8	20	27	21	19.5	40	8	45	93	10	ARTF-330
240	61/2.24	22	28	15.6	14	42	8	35	85	10	ARTF-331
240	61/2.24	22	28	21	19.5	42	8	45	95	10	ARTF-332
300	61/2.5	24	31	15.6	14	43	8	38	89	10	ARTF-333
300	61/2.5	24	21	21	19.5	43	8	47	98	10	ARTF-334
400	61/3.00	28	36	21	20	50	10	52	112	5	ARTF-335
400	61/3.00	28	36	23.8	22	50	10	54	114	5	ARTF-336

ALUMINIUM FERRULE/IN-LINE CONNECTOR



Compression Type Aluminium Tubular in-Line Connectors for Solderless Crimping to Aluminium Conductors

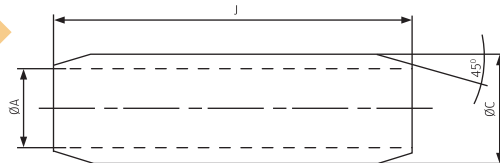
Area sq.mm.	A (2)	C(3)	J (4)	Ratan's Cat No.
2.5	1.9-2.1	5.4-5.6	15-17	RAC-2.5
2.5	2.5-2.7	5.4-5.6	15-17	RAC-2.5/1
4	2.8-3.0	5.4-5.6	15-17	RAC-4
6	3.4-3.6	5.4-5.6	19-21	RAC-6
10	3.7-3.9	6.1-6.3	19-21	RAC-10
10	4.3-4.5	7.1-7.3	19-21	RAC-10
16	5.3-5.5	8.2-8.4	25-27	RAC-16
25	6.8-7.1	9.6-9.8	33-37	RAC-25
35	7.8-8.1	10.7-10.9	38-42	RAC-35
50	9.1-9.4	12.9-13.1	43-47	RAC-50
70	11.1-11.4	15.4-15.6	52-58	RAC-70
95	13.0-13.3	17.3-17.5	57-63	RAC-95
120	14.5-14.9	19.5-19.7	62-68	RAC-120
150	16.2-16.6	21.4-21.6	66-74	RAC-150
185	18.2-18.6	23.9-24.1	71-79	RAC-185
240	20.7-21.3	27.9-28.2	85-95	RAC-240
300	23.5-24.1	30.9-31.2	95-105	RAC-300
400	26.5-27.1	35.4-35.7	109-121	RAC-400
500	29.5-30.2	40.9-41.2	110-131	RAC-500
630	34.5-35.2	45.9-46.2	133-147	RAC-630
800	38.5-39.2	50.9-51.2	152-168	RAC-800
1000	43.0-43.7	56.8-57.2	200-220	RAC-1000

Dimension : As per IS 8308 1993
 All dimension are in mm.

Conductivity : above 60% IACS



ALUMINIUM XLPE FERRULE



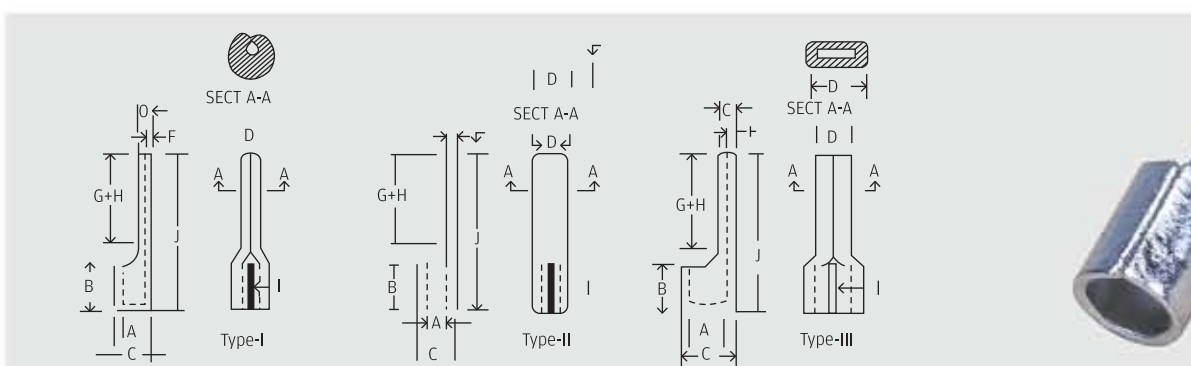
DIM. TABLE FOR XRM FERRULE

Area sq.mm.	$\begin{matrix} +0.3 \\ \text{ØA} \\ -0.1 \end{matrix}$	$\begin{matrix} +0.2 \\ \text{ØC} \\ -0.2 \end{matrix}$	$\begin{matrix} \pm 5.00 \\ J \end{matrix}$	Ratan's Cat No.
16	5.4	7.4	35	RXLC-16
25	7.2	9.6	37	RXLC-25
35	8.3	11.1	42	RXLC-35
50	9.5-10.1	12.4-13.5	47	RXLC-50
70	10.2	14.5	57	RXLC-70
95	12	16.9	62	RXLC-95
120	13.7	19	68	RXLC-120
150	15.1	21.1-21.2	73	RXLC-150
185	16.6	23.9	78	RXLC-185
225	18.6	26.1	88	RXLC-225
240	19.3	27.2	93	RXLC-240
300	21.8	30.2	104	RXLC-300
400	25	34.8	119	RXLC-400
500	28.2	39.1	129	RXLC-500
630	31.7	44.4	144	RXLC-630
800	35.7	49.5	164	RXLC-800
1000	41	56	214	RXLC-1000

All dimension are in mm.

Conductivity : above 60% IACS

COPPER PIN TYPE TERMINAL ENDS



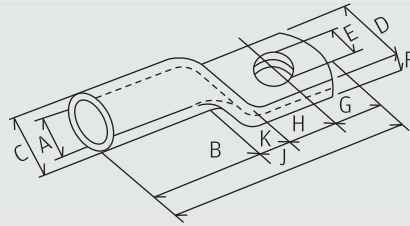
Area sq.mm	Cable Size	A	C	D	F	E	B	G+H	J	Type	Retail Packing	Ratan's Cat. No.
1.5	1/1.40	1.6	3.2	1.9	0.8	-	5	10	17	I	200	RP-1
2.5	3/1.06	2.3	3.9	1.9	0.8	-	5	10	17	I	200	RP-2
2.5	3/1.06	2.3	3.9	3.1	0.8	-	5	10	17	II	200	RP-3
4	7/0.85	2.9	4.9	2.7	1.0	-	6	10	20	I	200	RP-4
4	-	3.6	5.6	5.1	1.0	-	6	10	12	II	200	RP-5
6	7/1.06	3.6	5.6	2.7	1.0	-	6	10	12	I	200	RP-6
6	-	4.0	6.0	2.7	1.0	-	6	10	12	I	200	RP-7
10	7/1.4	4.5	6.7	4.3	1.1	2.4	8	12	22	III	200	RP-8
16	7/1.7	5.8	8.2	5.5	1.2	2.6	10	13	26	III	200	RP-9

All dimensions are in mm.

Finish : Electro tinned

HIGH CONDUCTIVITY COPPER CRIMPING LUGS

High Conductivity Copper Tubular
 Terminal Ends for solderless
 crimping to copper / aluminium
 conductors (IS-1897)



Area sq.mm.	Cable size	E	E Enlarge	A	C	D	F	B	K	H	G	J	I.S.I. REF	Ratan's Cat No. (Old)	Ratan's Cat No. (new)
2.5	1/1.8	5.2	-	2.0	3.7	8.7-9.4	1.0	7	3	5	5	20	-	RSS-130	RSS-130
2.5	1/1.8	3.2	3.2	2.0	4.2	5.0-5.6	2.2	7	3	5	5	20	CCA-2.5	-	RSS-175
2.5	3/1.06	3.2	3.7	2.6	4.6	5.8-6.4	2.0	7	3	5	5	20	CCA-2.5	-	RSS-176
4	1/2.8	6.5	-	3.1	4.8	10.5-11.5	1.0	7	3	6	6	22	-	RSS-131	RSS-131
4	7/0.85	3.2	4.2	2.9	4.7	6.0-6.6	1.8	7	3	6	6	22	CCA-4	-	RSS-177
6	1/3.55	6.5	-	3.8	5.5	10.8-11.4	1.0	9	3	6	6	24	-	RSS-132	RSS-132
6	1/3.55	3.2	5.2	3.5	5.5	7.2-7.8	2.0	9	3	6	6	24	CCA-6	-	RSS-178
10	7/1.40	6.5	-	4.4	6.2	10.8-11.4	1.3	9	3	6	6	24	-	RSS-133	RSS-133
10	1/3.55	4.2	5.2	3.8	5.5	7.4-8.0	1.7	9	3	6	6	24	CCA-10	-	RSS-179
10	7/1.40	4.2	6.4	4.4	6.2	8.4-9.0	1.8	9	3	6	6	24	CCA-10	-	RSS-180
16	7/1.70	6.5	-	5.3	7.1	10.8-11.4	1.6	12	4	8	6	30	-	RSS-134	RSS-134
16	7/1.70	5.2	8.2	5.4	7.2	10.0-10.6	1.8	12	4	8	6	30	CCA-16	-	RSS-181
25	7/2.24	6.5	-	7.0	9.0	12.7-13.3	2.0	12	5	12	8	37	-	RSS-135	RSS-135
25	7/2.24	6.4	10.2	7.0	9.0	12.7-13.3	2.0	12	5	12	8	37	CCA-25	-	RSS-182
35	7/2.50	6.5	-	8.0	10.0	14.8-15.4	2.0	12	5	12	8	37	-	RSS-136	RSS-136
35	7/2.50	8.2	-	8.0	10.0	14.8-15.4	2.0	12	5	12	8	37	-	RSS-137	RSS-137
35	7/2.50	6.4	10.2	8.0	10.0	14.3-14.9	2.0	12	5	12	8	37	CCA-35	-	RSS-183
50	19/1.8	6.5	-	9.2	11.2	15.8-16.8	2.0	16	8	12	9	45	-	RSS-138	RSS-138
50	19/1.8	8.2	-	9.2	11.2	15.8-16.8	2.0	16	8	12	9	45	-	RSS-139	RSS-139
50	19/1.8	10.2	-	9.2	11.2	15.8-16.8	2.0	16	8	12	9	45	-	RSS-140	RSS-140
50	19/1.8	6.4	10.2	9.3	11.3	16.2-17.0	2.0	16	8	12	9	45	CCA-50	-	RSS-184
70	19/2.24	8.2	-	11.5	13.8	19.8-20.8	2.3	18	10	15	13	56	-	RSS-141	RSS-141
70	19/2.24	10.2	-	11.5	13.8	19.8-20.8	2.3	18	10	15	13	56	-	RSS-142	RSS-142
70	19/2.24	12.7	-	11.5	13.8	19.8-20.8	2.3	18	10	15	13	56	-	RSS-143	RSS-143
70	19/2.24	8.2	12.7	11.6	13.8	20.0-20.8	2.2	18	10	15	13	56	CCA-70	-	RSS-185
95	19/2.5	10.2	10.2	12.8	15.6	22.6-23.4	2.8	20	10	15	13	58	-	RSS-144	RSS-144
95	19/2.5	12.7	-	12.8	15.6	22.6-23.4	2.8	20	10	15	13	58	-	RSS-145	RSS-145
95	19/2.5	10.2	12.7	12.9	15.6	22.6-23.4	2.7	20	10	15	13	58	CCA-95	-	RSS-186
120	37/2.06	10.2	-	14.8	17.8	26.2-27.0	3.0	22	10	16	14	62	-	RSS-146	RSS-146
120	37/2.06	12.7	-	14.8	17.8	26.2-27.0	3.0	22	10	16	14	62	-	RSS-147	RSS-147
120	37/2.06	16.2	-	14.8	17.8	26.2-27.0	3.0	22	10	16	14	62	-	RSS-148	RSS-148
120	37/2.06	10.2	16.2	15.0	18.0	26.2-27.0	3.0	22	10	16	14	62	CCA-120	-	RSS-187
150	37/2.24	10.2	-	16.0	19.6	28.5-29.5	3.6	26	11	18	15	70	-	RSS-149	RSS-149
150	37/2.24	12.7	-	16.0	19.6	28.5-29.5	3.6	26	11	18	15	70	-	RSS-150	RSS-150
150	37/2.24	16.2	-	16.0	19.6	28.5-29.5	3.6	26	11	18	15	70	-	RSS-151	RSS-151
150	37/2.24	10.2	16.2	16.5	19.6	28.5-29.5	3.1	26	11	18	15	70	CCA-150	-	RSS-188
185	37/2.50	12.7	-	18.0	22.0	32.0-33.0	4.0	28	13	21	21	83	-	RSS-152	RSS-152
185	37/2.50	16.2	-	18.0	22.0	32.0-33.0	4.0	28	13	21	21	83	-	RSS-153	RSS-153
185	37/2.50	10.2	16.2	18.5	22.0	32.0-33.0	3.5	28	13	21	21	83	CCA-185	-	RSS-189
225	37/2.8	16.2	-	20.0	24.0	35.0-36.0	4.0	32	15	24	24	95	-	RSS-154	RSS-154
225	37/2.8	12.7	16.2	21.0	25.0	36.5-37.5	4.0	32	15	24	24	95	CCA-225	-	RSS-190
240	61/2.24	16.2	-	22.0	26.0	38.1-39.1	4.0	34	15	24	24	97	-	RSS-155	RSS-155
240	61/2.24	20.3	-	22.0	26.0	38.1-39.1	4.0	34	15	24	24	97	-	RSS-156	RSS-156
240	61/2.24	12.7	20.3	22.0	26.0	38.1-39.1	4.0	34	15	24	24	97	CCA-240	-	RSS-191
300	61/2.50	16.2	-	24.0	28.7	41.8-42.8	4.7	36	17	25	25	103	-	RSS-157	RSS-157
300	61/2.50	20.3	-	24.0	28.7	41.8-42.8	4.7	36	17	25	25	103	-	RSS-158	RSS-158
300	61/2.50	16.2	20.3	25.0	29.4	43.2-44.2	4.4	36	17	25	25	103	CCA-300	-	RSS-192
400	61/3.0	20.3	-	28.0	33.2	48.8-49.8	5.2	44	18	27	27	116	-	RSS-159	RSS-159
400	61/3.0	16.2	20.3	29.0	34.4	50.4-51.6	5.4	44	18	27	27	116	CCA-400	-	RSS-193
500	91/2.65	20.3	-	30.0	36.0	53.0-54.0	6.0	48	18	27	27	120	-	RSS-160	RSS-160
500	91/2.65	20.3	-	31.0	37.0	54.1-55.3	6.0	48	18	27	27	120	CCA-500	-	RSS-194
630	91/3.0	20.3	-	35.0	41.5	61.0-62.0	6.5	53	20	33	31	137	-	RSS-161	RSS-161
630	91/3.0	20.3	-	36.0	42.5	62.4-63.8	6.5	53	20	33	31	137	CCA-630	-	RSS-195
800	91/3.35	-	-	39.0	46.3	67.9-69.3	7.3	68	25	38	37	165	CCA-1000	RSS-162	RSS-162
1000	91/3.75	-	-	43.0	53.8	75.5-79.0	10.8	90	30	45	45	210	-	RSS-163	RSS-163
1000	91/3.75	-	-	43.5	53.8	77.7-79.7	10.3	90	30	45	45	210	-	-	RSS-196

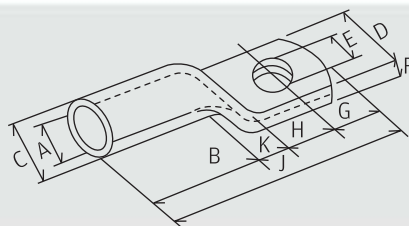
Material : Copper as per BS 1977
 All dimensions are in mm.

Finish : Electro tinned



COPPER CRIMPING LUGS (DIN TYPE) >>

Heavy duty Copper tubular Terminal
 ends for Solderless Crimping to
 Copper/Aluminium conductors (Din Type)



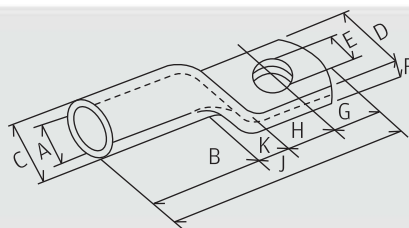
Area sq.mm.	E	A	C	D	F	B	K	H	G	J	Ratan's Cat No. (Old)	Ratan's Cat No. (new)
2.5	4.2	2.4	4.0	8	1.0	7	2	5	4	18	RSSH-130	RSSH-151
4	5.2	3.1	4.8	10	1.0	7	2	6	5	20	RSSH-131	RSSH-152
6	5.2	3.8	5.5	10	1.2	9	3	6	5	23	RSSH-132	RSSH-153
10	6.5	4.5	6.2	12	1.2	9	3	7	6	25	RSSH-133	RSSH-154
16	6.5	5.4	7.1	12	1.4	12	4	7	7	30	RSSH-134	RSSH-155
25	6.5	6.8	8.8	13	2.0	12	4	7	7	30	RSSH-135	RSSH-156
35	8.4	8.2	10.6	15	2.4	12	5	9	9	35	RSSH-136	RSSH-157
50	8.4	9.5	12.4	18	2.9	16	6	11	10	43	RSSH-137	RSSH-158
70	10.5	11.2	14.7	21	3.5	18	7	13	12	50	RSSH-138	RSSH-159
95	10.5	13.5	17.4	25	3.9	20	9	13	13	55	RSSH-139	RSSH-160
120	13.0	15.0	19.4	28	4.4	22	10	14	14	60	RSSH-140	RSSH-161
150	13.0	16.5	21.2	30	4.7	26	11	16	16	69	RSSH-141	RSSH-162
185	17.0	18.5	23.5	34	5.0	32	12	17	17	78	RSSH-142	RSSH-163
225	17.0	21.0	26.5	38	5.5	37	13	20	20	90	-	RSSH-164
240	17.0	22.0	27.5	38	5.5	38	14	20	20	92	RSSH-143	RSSH-165
300	17.0	23.5	30.0	43	6.5	42	15	22	22	101	RSSH-144	RSSH-166
400	17.0	28.5	36.5	53	8.0	44	18	26	26	114	RSSH-145	RSSH-167
500	21.0	30.0	39.0	56	9.0	48	20	28	28	124	RSSH-146	RSSH-168
625	21.0	35.0	45.0	65	10.0	56	22	33	33	144	RSSH-147	RSSH-169

Material : Copper as per BS 1977
 All dimensions are in mm.

Finish : Electro tinned

LONG BARREL COPPER CRIMPING LUGS >>

Long Barrel Copper Tubular Terminal
 Ends for Solderless Crimping to
 Copper/Aluminium conductor

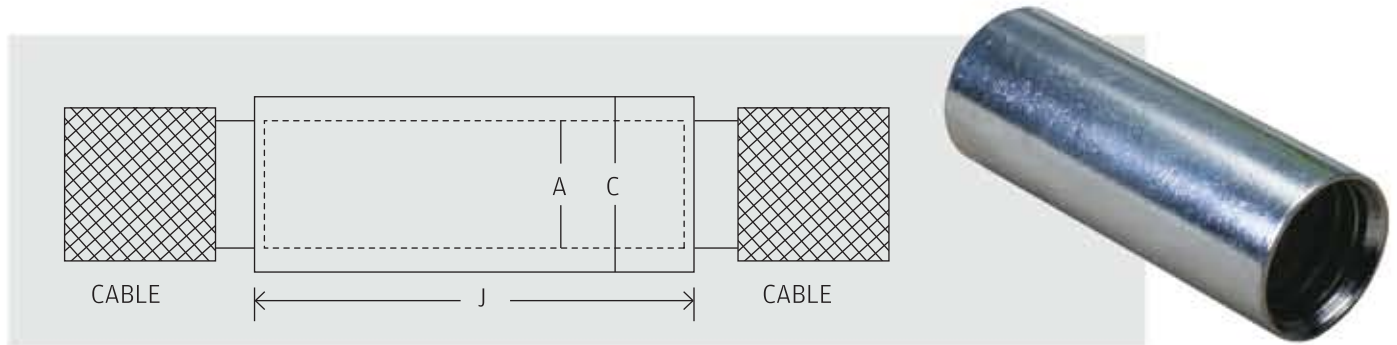


Area sq.mm.	Cable size	E	A	C	D	F	B	K	H	G	J	Ratan's Cat No. (new)
25	7/2.24	8.2	7.0	9.0	13	2.0	16	5	12	8	41	RHSL-025
35	7/2.50	8.2	8.0	10.6	15	2.6	20	5	14	9	48	RHSL-035
50	19/1.80	8.2	9.2	12.2	17	3.0	26	7	16	10	59	RHSL-050
70	19/2.24	10.2	11.5	15.0	20	3.5	28	7	19	12	66	RHSL-070
95	19/2.50	12.7	12.8	17.0	24	4.2	32	10	20	12	74	RHSL-095
120	37/2.06	12.7	14.8	19.6	28	4.8	35	10	23	14	82	RHSL-120
150	37/2.24	12.7	16.0	21.2	30	5.2	38	10	24	14	86	RHSL-150
185	37/2.50	12.7	18.0	24.0	34	6.0	43	12	23	17	95	RHSL-185
240	37/3.00	16.2	22.0	28.0	40	6.0	50	12	30	20	112	RHSL-240

Material : Copper as per BS 1977
 All dimensions are in mm.

Finish : Electro tinned

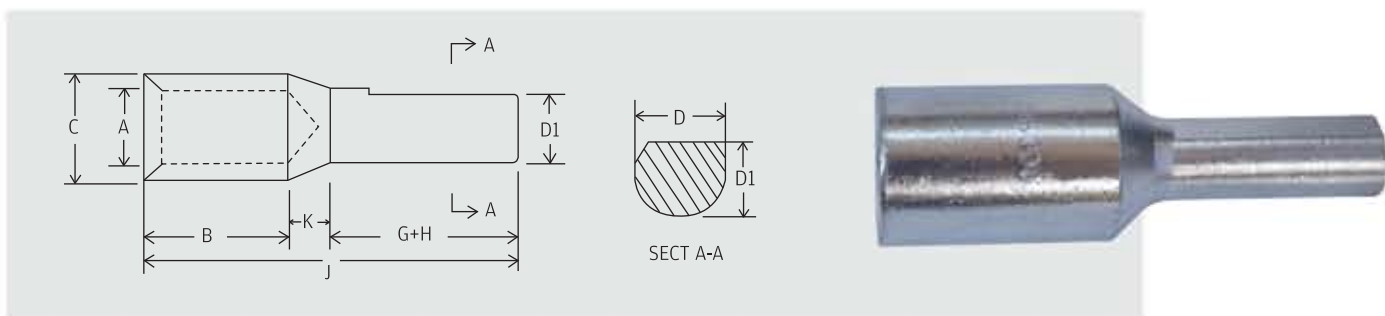
COPPER FERRULE/IN-LINE CONNECTOR



Copper Tubular In-Line connectors for solderless Crimping to aluminium Conductors.

Area sq.mm	C Cable Size	mm ²	C-1 Cable Size	A	C	J	Retail Packing	ISI Ref.	Ratans Cat No.
1.5	1/1.4	1.5	1/1.4	1.6	3.2	15	200	-	RCC-311
2.5	1/1.8	2.5	1/1.8	2.0	4.2	15	200	CIX-2.5	RCC-312
2.5	1/1.8	2.5	1/1.8	2.6	4.6	15	200	CIX-2.5	RCC-313
4	1/2.8	4	1/2.8	2.9	4.7	15	200	CIX-4	RCC-314
6	1/3.55	6	1/3.55	3.5	5.5	15	200	CIX-6	RCC-315
10	7/1.4	10	7/1.4	3.8	5.5	15	200	CIX-10	RCC-316
10	7/1.4	10	7/1.4	4.4	6.2	15	200	CIX-10	RCC-317
16	7/1.7	16	7/1.7	5.4	7.2	20	200	CIX-16	RCC-318
25	7/2.24	25	7/2.24	7.0	9.0	25	200	CIX-25	RCC-319
35	7/2.5	35	7/2.5	8.0	10.0	30	100	CIX-35	RCC-320
50	19/1.8	50	19/1.8	9.3	11.3	35	100	CIX-50	RCC-321
70	19/2.24	70	19/2.24	11.6	13.8	40	50	CIX-70	RCC-322
95	19/2.5	95	19/2.5	12.9	15.5	45	50	CIX-95	RCC-323
120	37/2.06	120	37/2.06	15.0	18.0	50	30	CIX-120	RCC-324
150	37/2.24	150	37/2.24	16.5	19.6	55	20	CIX-150	RCC-325
185	37/2.5	185	37/2.5	18.5	22.0	60	20	CIX-185	RCC-326
225	37/2.8	225	37/2.8	21	25	65	10	CIX-225	RCC-327
240	61/2.24	240	61/2.24	22	26	65	10	CIX-240	RCC-328
300	61/2.5	300	61/2.5	25	29.4	75	10	CIX-300	RCC-329
400	61/3.00	400	61/3.00	29	34.4	90	5	CIX-400	RCC-330
500	91/2.65	500	91/2.65	31	37	95	5	CIX-500	RCC-331
630	91/3.0	630	91/3.0	36	42.5	105	5	CIX-630	RCC-332
800	91/3.35	800	91/3.35	39	46.3	120	5	CIX-800	RCC-333
1000	91/3.65	1000	91/3.65	43.5	53.8	150	4	CIX-1000	RCC-334

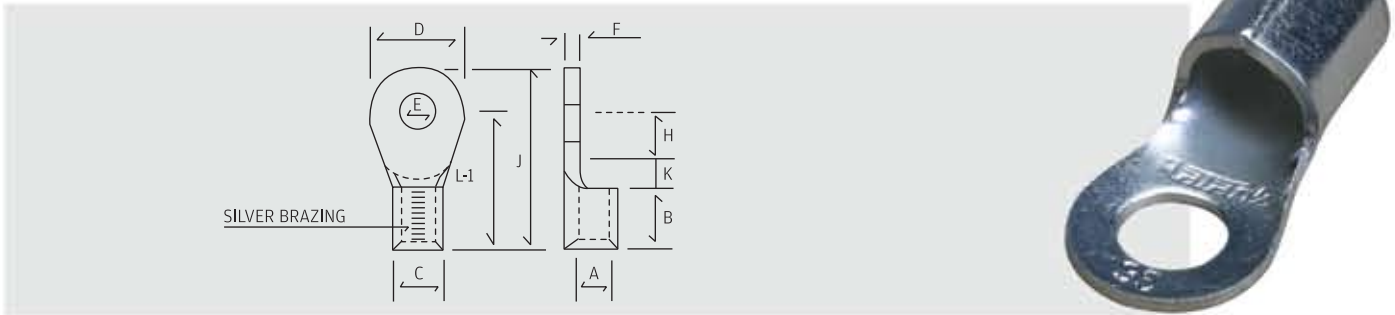
COPPER REDUCER TYPE TERMINAL ENDS >>



Copper Reducer Type Terminal Ends for Solderless Crimping to Aluminium Conductors Suitable for Switch Fuse Units

Area sq.mm.	Cable Size	A	C	D	D-1	B	K	G+H	J	Retail Packing	Ratans Cat No. (New)
2.5	3/1.06	2.5	4.7	4.5	4.0	6	4	10	20	200	RRTF-1
2.5	3/1.06	2.5	4.7	3.8	3.3	6	4	10	20	200	RRTF-2
4	7/0.85	2.8	4.7	4.5	4.0	6	4	10	20	200	RRTF-3
4	7/0.85	2.8	4.7	3.8	3.3	6	4	10	20	200	RRTF-4
6	1/2.8	3.1	4.7	4.5	4.0	6	4	10	20	200	RRTF-5
6	1/2.8	3.1	4.7	3.8	3.3	6	4	10	20	200	RRTF-6
10	1/3.55	3.8	5.5	4.5	4.0	9	4	10	23	200	RRTF-7
10	1/3.55	3.8	5.5	3.8	3.3	9	4	10	23	200	RRTF-8
10	7/1.4	4.4	6.2	4.5	4.0	9	4	10	23	200	RRTF-9
10	7/1.4	4.4	6.2	3.8	3.3	9	4	10	23	200	RRTF-10
16	7/1.7	5.3	7.1	6.0	5.5	12	5	15	32	200	RRTF-11
16	7/1.7	5.3	7.1	6.0	5.5	12	5	20	37	200	RRTF-12
16	7/1.7	5.3	7.1	3.8	3.3	12	5	13	30	200	RRTF-13
25	7/2.24	7.0	9.0	6.0	5.5	12	5	15	32	100	RRTF-14
25	7/2.24	7.0	9.0	7.5	6.5	12	5	20	37	100	RRTF-15
35	7/2.5	8.0	10.0	7.5	6.5	12	5	20	37	100	RRTF-16
50	19/1.8	9.2	11.2	7.5	6.5	16	5	20	41	100	RRTF-17
50	19/1.8	10.4	14.0	14	13	18	7	24	49	100	RRTF-18
70	19/2.24	11.5	13.8	7.5	6.5	18	5	20	43	50	RRTF-19
70	19/2.24	11.5	13.8	11.5	10.5	18	5	25	48	50	RRTF-20
70	19/2.24	11.5	13.8	11.5	10.5	18	5	32	55	50	RRTF-21
95	19/2.5	12.8	15.6	11.5	10.5	20	6	25	51	50	RRTF-22
95	19/2.5	12.8	15.6	15.6	14.0	20	6	27	53	50	RRTF-23
95	19/2.5	12.8	15.6	7.5	6.5	20	6	22	48	50	RRTF-24
95	19/2.5	12.8	15.6	12.8	11.8	20	6	32	58	50	RRTF-25
120	37/2.06	14.8	17.8	15.6	10.5	22	6	25	53	30	RRTF-26
120	37/2.06	14.8	17.8	7.5	6.5	22	6	22	50	30	RRTF-27
120	37/2.06	14.8	17.8	15.6	10.5	22	6	32	60	30	RRTF-28
120	37/2.06	14.8	17.8	11.5	14	22	6	32	60	30	RRTF-29
150	37/2.24	16.0	19.6	15.6	14	26	6	32	64	20	RRTF-30
150	37/2.24	16.0	19.6	11.5	10.5	26	6	32	64	20	RRTF-31
185	37/2.5	18	22	15.6	14	32	6	32	70	20	RRTF-32
185	37/2.5	18	22	11.5	10.5	32	6	32	70	20	RRTF-33
225	37/2.8	20	26	15.6	14	38	8	32	78	10	RRTF-34
225	37/2.8	20	26	21	18	38	8	42	88	10	RRTF-35
225	37/2.8	20	26	16	15	38	8	42	88	10	RRTF-36
240	61/2.24	22	26	16	15	38	8	42	88	10	RRTF-37
240	61/2.24	22	26	15.6	14	38	8	32	78	10	RRTF-38
300	61/2.5	24	28.7	16	15	42	8	42	92	10	RRTF-39
300	61/2.5	24	28.7	15.6	14	42	8	32	82	10	RRTF-40
400	61/3.0	28	33.2	21	18	46	10	48	104	5	RRTF-41
400	61/3.0	28	33.2	23.8	21	46	10	52	108	5	RRTF-42

COPPER RING TONGUE TERMINAL ENDS »



Copper Ring Tongue Terminal Ends for Solderless Crimping to Copper/Aluminium Conductors.

Area sq.mm.	E	A	C	D	F	B	K	H	L-1	J	Retail Packing	Ratans Cat No. (New)
16	5.2	5.6	8.0	10	1.2	10	3	6	19	24	200	RTE-60
16	5.2	5.6	8.0	12	1.2	10	4	6	20	26	200	RTE-61
16	6.4	5.6	8.0	12	1.2	10	4	6	20	26	200	RTE-62
16	6.4	5.6	8.0	16	1.2	10	4	8	22	30	200	RTE-63
16	8.2	5.6	8.0	16	1.2	10	4	8	22	30	200	RTE-64
16	9.7	5.6	8.0	16	1.2	10	4	8	22	30	200	RTE-65
16	8.2	5.6	8.0	18	1.2	10	4	10	24	33	200	RTE-66
16	10.2	5.6	8.0	18	1.2	10	4	10	24	33	200	RTE-67
16	10.2	5.6	8.0	22	1.2	10	6	8	24	35	200	RTE-68
16	12.7	5.6	8.0	22	1.2	10	6	8	24	35	200	RTE-69
25	6.4	7.5	11.1	12	1.8	11	4	10	25	31	100	RTE-70
25	8.2	7.5	11.1	12	1.8	11	4	10	25	31	100	RTE-71
25	6.4	7.5	11.1	16	1.8	11	5	6	22	30	100	RTE-72
25	8.2	7.5	11.1	16	1.8	11	5	6	22	30	100	RTE-73
25	10.2	7.5	11.1	16	1.8	11	5	6	22	30	100	RTE-74
25	6.4	7.5	11.1	16	1.8	11	4	10	25	33	100	RTE-75
25	8.2	7.5	11.1	16	1.8	11	4	10	25	33	100	RTE-76
25	10.2	7.5	11.1	18	1.8	11	5	9	25	34	100	RTE-77
25	10.2	7.5	11.1	22	1.8	11	6	14	31	42	100	RTE-78
25	12.7	7.5	11.1	22	1.8	11	6	14	31	42	100	RTE-79
35	6.4	9.0	12.6	16	1.8	12	5	6	23	31	100	RTE-80
35	8.2	9.0	12.6	16	1.8	12	5	6	23	31	100	RTE-81
35	8.2	9.0	12.6	18	1.8	12	5	10	27	36	100	RTE-82
35	10.2	9.0	12.6	18	1.8	12	5	10	27	36	100	RTE-83
35	10.2	9.0	12.6	22	1.8	12	4	15	31	42	100	RTE-84
35	12.7	9.0	12.6	22	1.8	12	4	15	31	42	100	RTE-85
50	8.2	10.5	14.1	18	1.8	16	6	12	34	43	100	RTE-86
50	10.2	10.5	14.1	16	1.8	16	6	12	34	43	100	RTE-87
50	10.2	10.5	14.1	24	1.8	16	7	9	32	43	100	RTE-88
50	10.2	10.5	14.1	24	1.8	16	6	14	36	48	100	RTE-89
50	12.7	10.5	14.1	32	1.8	16	6	14	36	48	100	RTE-90
50	16.2	10.5	14.1	32	1.8	16	7	15	38	54	100	RTE-91
70	10.2	12.0	16.0	22	2.0	18	7	11	36	47	50	RTE-92
70	12.7	12.0	16.0	24	2.0	18	7	11	36	47	50	RTE-93
70	12.7	12.0	16.0	24	2.0	18	8	10	36	48	50	RTE-94
70	16.2	12.0	16.0	28	2.0	18	6	16	40	54	50	RTE-95
95	10.2	13.5	18.1	22	2.3	20	5	10	35	46	50	RTE-96
95	10.2	13.5	18.1	24	2.3	20	6	12	38	50	50	RTE-97
95	12.7	13.5	18.1	24	2.3	20	6	12	38	50	50	RTE-98
95	16.2	13.5	18.1	28	2.3	20	7	17	44	58	50	RTE-99
120	12.7	15.0	20.2	26	2.6	22	10	7	39	52	30	RTE-100
120	16.2	15.0	20.2	32	2.6	22	7	19	48	64	30	RTE-101
120	20.3	15.0	20.2	40	2.6	22	10	20	52	72	30	RTE-102
150	12.7	16.5	23.7	34	3.6	24	9	16	49	66	20	RTE-103
150	16.2	16.5	23.7	34	3.6	24	9	16	49	66	20	RTE-104
150	16.2	16.5	23.7	40	3.6	24	10	20	54	74	20	RTE-105
150	20.3	16.5	23.7	40	3.6	24	10	20	54	74	20	RTE-106

All dimensions are in mm.

Finish : Electro Tinned

contd...

Compression gland copper crimping lugs (din type)

AVAILABLE TERMINAL/LUGS Aluminium XLPE Ferrule



Area sq.mm.	E	A	C	D	F	B	K	H	L-1	J	Retail Packing	Ratans Cat No. (New)
1.5	2.2	1.6	3.2	6	0.8	5	2	4	11	14	200	RTE-1
1.5	2.6	1.6	3.2	6	0.8	5	2	4	11	14	200	RTE-2
1.5	3.2	1.6	3.2	6	0.8	5	2	4	11	14	200	RTE-3
1.5	3.7	1.6	3.2	6	0.8	5	2	4	11	14	200	RTE-4
1.5	4.2	1.6	3.2	6	0.8	5	2	4	11	14	200	RTE-5
1.5	3.2	1.6	3.2	6.8	0.8	5	1	3.6	9.6	13	200	RTE-6
1.5	3.7	1.6	3.2	6.8	0.8	5	1	3.6	9.6	13	200	RTE-7
1.5	4.2	1.6	3.2	6.8	0.8	5	1	3.6	9.6	13	200	RTE-8
1.5	3.2	1.6	3.2	8	0.8	5	2	5	12	16	200	RTE-9
1.5	4.2	1.6	3.2	8	0.8	5	2	5	12	16	200	RTE-10
1.5	5.2	1.6	3.2	8	0.8	5	2	5	12	16	200	RTE-11
1.5	4.2	1.6	3.2	7	0.8	5	1	5	11	14.5	200	RTE-12
1.5	4.2	1.6	3.2	10	0.8	5	2	6	13	18	200	RTE-13
1.5	5.2	1.6	3.2	10	0.8	5	2	6	13	18	200	RTE-14
1.5	6.4	1.6	3.2	10	0.8	5	2	6	13	18	200	RTE-15
1.5	6.4	1.6	3.2	12	0.8	5	1	6	12	18	200	RTE-16
2.5	3.2	2.3	3.9	6.5	0.8	5	1	3.5	9.5	12.7	200	RTE-17
2.5	3.7	2.3	3.9	6.5	0.8	5	1	3.5	9.5	12.7	200	RTE-18
2.5	3.7	2.3	3.9	8	0.8	5	2	5	12	16	200	RTE-19
2.5	4.2	2.3	3.9	8	0.8	5	2	5	12	16	200	RTE-20
2.5	5.2	2.3	3.9	8	0.8	5	2	5	12	16	200	RTE-21
2.5	5.2	2.3	3.9	10	0.8	5	1	7	13	18	200	RTE-22
2.5	6.4	2.3	3.9	10	0.8	5	1	7	13	18	200	RTE-23
2.5	5.2	2.3	3.9	12	0.8	5	2	9	16	22	200	RTE-24
2.5	6.4	2.3	3.9	12	0.8	5	2	9	16	22	200	RTE-25
2.5	8.2	2.3	3.9	12	0.8	5	2	9	16	22	200	RTE-26
2.5	6.4	2.3	3.9	16	0.8	5	2	10	17	25	200	RTE-27
2.5	8.2	2.3	3.9	16	0.8	5	2	10	17	25	200	RTE-28
2.5	10.2	2.3	3.9	16	0.8	5	2	10	17	25	200	RTE-29
2.5	10.2	2.3	3.9	18	0.8	5	1	14	20	29	200	RTE-30
2.5	12.7	2.3	3.9	18	0.8	5	1	14	20	29	200	RTE-31
4-6	4.2	3.5	5.5	8	1.0	6	2	5	13	17	200	RTE-32
4-6	5.2	3.5	5.5	8	1.0	6	2	5	13	17	200	RTE-33
4-6	4.2	3.5	5.5	10	1.0	6	3	5	14	19	200	RTE-34
4-6	5.2	3.5	5.5	10	1.0	6	3	5	14	19	200	RTE-35
4-6	5.2	3.5	5.5	8	1.0	6	3	9.8	18.8	22.8	200	RTE-36
4-6	5.2	3.5	5.5	12	1.0	6	2	6	14	20	200	RTE-37
4-6	6.4	3.5	5.5	12	1.0	6	2	6	14	20	200	RTE-38
4-6	8.2	3.5	5.5	12	1.0	6	2	6	14	20	200	RTE-39
4-6	5.2	3.5	5.5	12	1.0	6	3	7	16	22	200	RTE-40
4-6	6.4	3.5	5.5	12	1.0	6	3	7	16	22	200	RTE-41
4-6	6.4	3.5	5.5	14	1.0	6	2	10.5	18.5	25.5	200	RTE-42
4-6	8.2	3.5	5.5	14	1.0	6	2	10.5	18.5	25.5	200	RTE-43
4-6	9.7	3.5	5.5	14	1.0	6	2	10.5	18.5	25.5	200	RTE-44
4-6	8.2	3.5	5.5	16	1.0	6	3	13	22	30	200	RTE-45
4-6	10.2	3.5	5.5	16	1.0	6	3	13	22	30	200	RTE-46
4-6	8.2	3.5	5.5	18	1.0	6	3	12	21	30	200	RTE-47
4-6	10.2	3.5	5.5	18	1.0	6	3	12	21	30	200	RTE-48
4-6	12.7	3.5	5.5	18	1.0	6	3	12	21	30	200	RTE-49
10	4.2	4.3	6.3	10	1.0	8	2	7	17	22	200	RTE-50
10	5.2	4.3	6.3	10	1.0	8	2	7	17	22	200	RTE-51
10	4.2	4.3	6.3	10	1.0	8	3	4	15	20	200	RTE-52
10	5.2	4.3	6.3	10	1.0	8	3	4	15	20	200	RTE-53
10	6.4	4.3	6.3	12	1.0	8	2	7	17	23	200	RTE-54
10	8.2	4.3	6.3	16	1.0	8	4	7	19	27	200	RTE-55
10	8.2	4.3	6.3	18	1.0	8	4	9	21	30	200	RTE-56
10	10.2	4.3	6.3	18	1.0	8	4	9	21	30	200	RTE-57
10	10.2	4.3	6.3	22	1.0	8	5	10	23	34	200	RTE-58
10	12.7	4.3	6.3	22	1.0	8	5	10	23	34	200	RTE-59

All dimensions are in mm.

Finish : Electro Tinned

Electroforged Gratings & Stair Tread

GI Structure (for Switchyard, Transmission Towers,
Railways & Telecom) & Accessories

Cable Tray Support (Struct Type - C1 / C2 &
Accessories) & Weldable Support

Cable Trays & Accessories

Earthing Materials & Accessories

Cable Glands

Cable Lugs



RATAN PROJECTS & ENGINEERING CO. PVT. LTD.

26, Prasanna Kumar Tagore Street, Main Building
Kolkata - 700 006, West Bengal (INDIA)

Phone : +91 33 2530 7676 / 2533 6199 / 2533 6234, Fax : +91 33 2555 3928

Email : info@ratans.com / ratans@cal.vsnl.net.in, Website : www.ratans.com